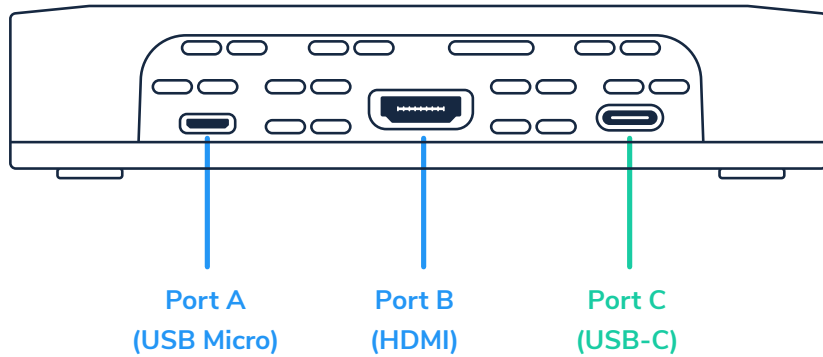
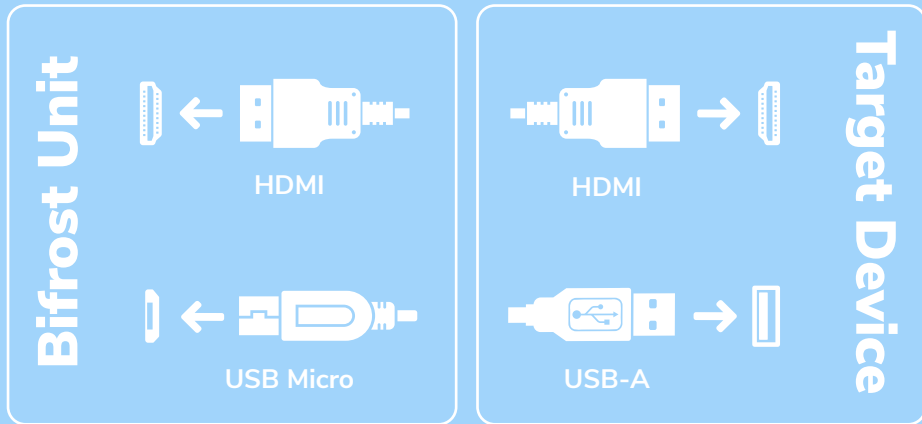


Onsite Illustrations

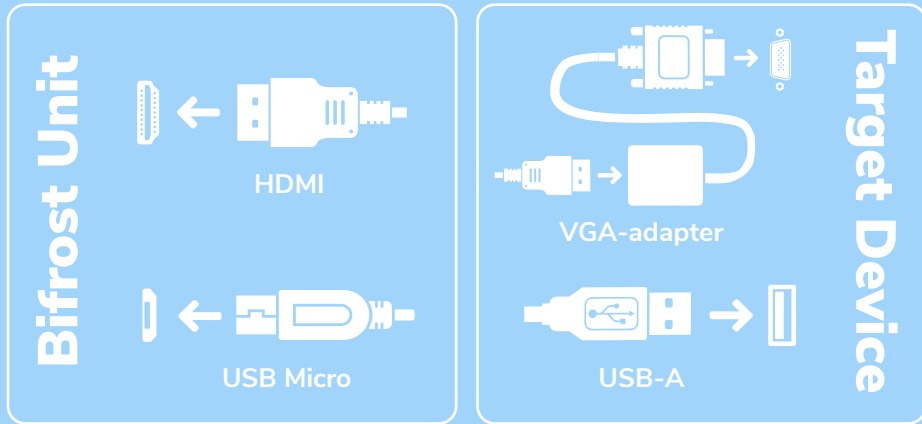
Keyboard Video Mouse (KVM)



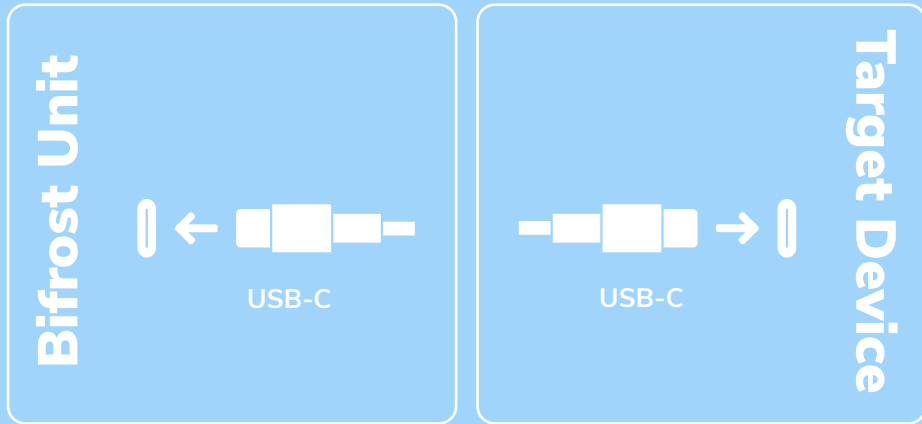
1 HDMI & USB



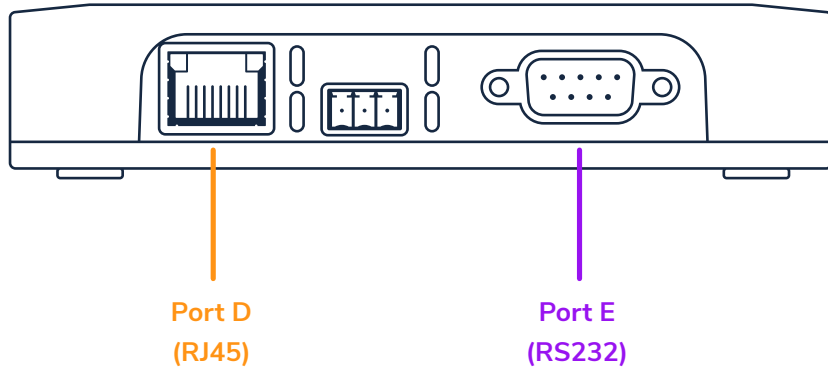
2 VGA-adapter



3 USB-C



Onsite Illustrations Bifrost Tunnels



4 IP Tunnel

Bifrost Unit



RJ45



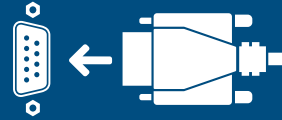
RJ45

Target Device

5

Serial Tunnel

Bifrost Unit



RS232



RS232

Target Device

6

USB Tunnel

Bifrost Unit



USB Micro



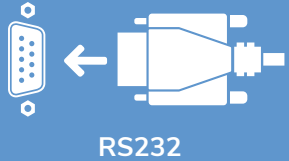
USB-A

Target Device

Onsite Illustrations Additional Connections

7 Serial Terminal

Bifrost Unit

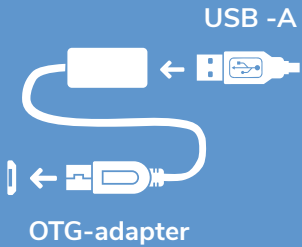


Target Device



OR

Bifrost Unit



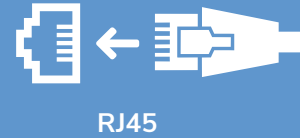
Target Device



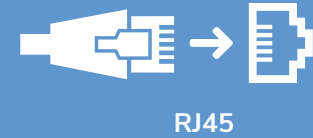
8

SSH

Bifrost Unit



Target Device



9

Offline File Transfer

Optional: Connect HDMI for remote KVM

Bifrost Unit



Target Device

